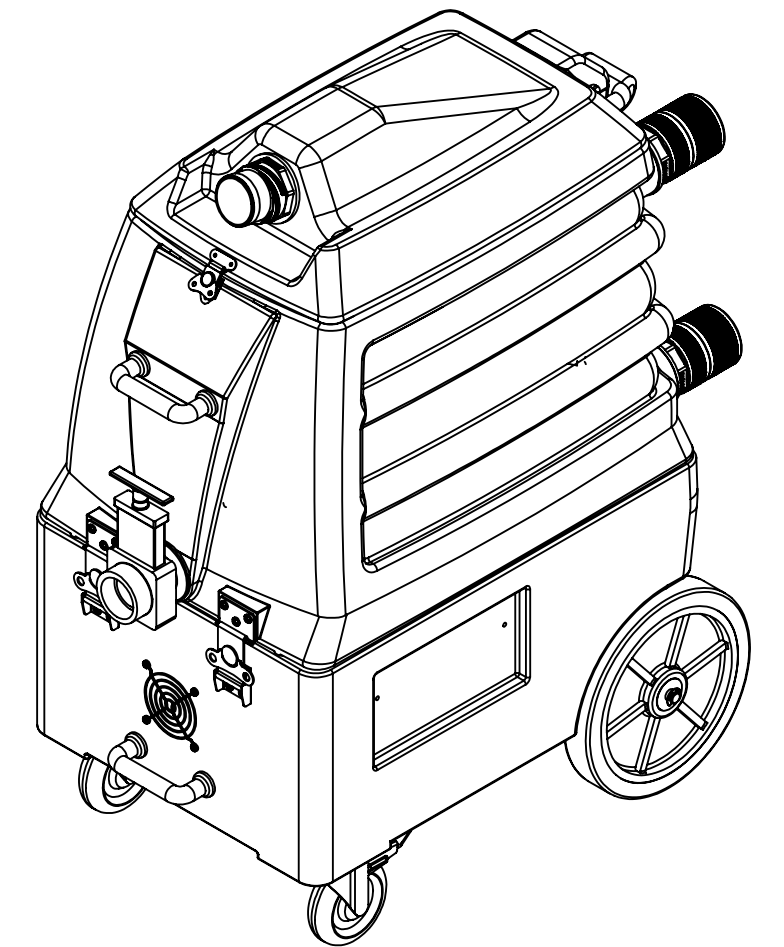


ITEM NO.	PART NO.	DESCRIPTION	QTY.	MSRP
1	G106	gasket, vac lid, 7000S	1	\$21.99 ea
2	H135	Cuff-Lynx, 2" m cuff x 2" mpt	1	\$3.99 ea
3	P740	lid, 7000S	1	\$96.99
4	H217	clamp, hose, 2-1/4 dia	5	\$1.49 ea
5	PH628-10	vac hose, 2", black, wire reinforced	1	\$8.99 ft
6	C302A	vac motor, 3-stage hp, 120V, 145"	2	\$148.99 ea
7	H770	bolt, 1/4-20 x 1/2" serrated hex flange, zinc	6	\$0.99 ea
8	H501	vac support, 3 stage, 4-1/16"	6	\$4.99 ea
9	G004	gasket, vacuum motor	2	\$8.99 ea
10	H202	bolt, 1/4-20 x 3/4" hex head, s/s	6	\$0.99 ea
11	P735	manifold, single vac, no gasket	2	\$14.99 ea
12	H253	plate, dual manifold, 9" x 13"	1	\$14.99 ea
13	H225	valve, drain, 1-1/2"	1	\$20.99 ea
14	H485	handle, aluminim grip, black	3	\$6.99 ea
15	G052	washer, buna 1-1/8" od x 3/16" id	4	\$1.99 ea
16	H768	bolt, 1/4-20 x 3/4" serrated hex flange, zinc	6	\$0.99 ea
17	H906	latch, front, small, 7000S	1	\$18.99 ea
18	P741	flood hog, vac tank	1	\$193.99 ea
19	H023	filter basket, flood hog	1	\$64.99 ea
20	C388	pump out, 66 gpm, stainless, 115v	1	\$695.99 ea
21	P686	swing check valve, pump out	1	\$24.49 ea
22	PH627-7	vac hose, 1-1/2", black, wire reinforced	1	\$4.99 ft
23	PH633-1	pipe, pvc, 1-1/2"	1	\$4.99 ft
24	G003	filter, foam, 2" x .50" o.d.	1	\$1.99 ea
25	G097	screen, mesh filter, 1-1/2" dia	1	\$4.99 ea
26	P502	adapter, 1.5" pvc, fslip x fslip	1	\$5.00 ea
27	PH633-11	pipe, pvc, 1-1/2"	1	\$4.99/ft
28	H244	adapter, pvc, 1-1/2" fms x fmpt	1	\$4.99 ea
29	H396	barb, 1-1/2" x 1-1/2" fpt, pump out	1	\$19.99 ea
30	H207	cam & grovve fitting 1-1/2", male	1	\$21.99 ea
31	H121	cuff-lynx, 2" plug	2	\$3.99 ea
32	G122	o-ring, 2.318" OD x 3/32" width	2	\$2.99 ea
33	H124	Cuff-Lynx, 2" mpt x 2" female cuff	2	\$3.99 ea
34	P680	elbow, pvc 1/2" fmt x 1/2" fms	1	\$2.00 ea
35	B210	bushing, brass, 1/2"mpt x 3/8" fpt, hex	4	\$2.49 ea
36	B105	bushing, brass, 3/8"mpt x 1/4"	2	\$3.19 ea
37	B103	elbow, brass, 90 deg, 1/4"mpt x 1/4" fpt	2	\$4.49 ea
38	E373	level switch, vacuum shut-off, rear threads	2	\$13.99 ea
39	B216	nipple, brass, 3/8" x close	1	\$1.99 ea
40	H299	washer, 1 1/16" id x 1-1/2" od x .075, s/s	1	\$0.99 ea
41	P679	adapter, pvc, 1/2" fpt x s	1	\$3.99 ea
42	P677-2	pipe, pvc, 1/2" x 20'	1	\$1.99 ft
43	P575	TEE 1/2" FSlip x 1/2" FSlip x 1/2" FPT	1	\$0.99 ea
44	P677-2.5	pipe, pvc, 1/2" x 20'	1	\$1.99 ft
45	H221	nut, lock, 1/2" steel	3	\$1.99 ea
46	H220	fitting, strain relief, cord	3	\$3.19 ea
47	H229	inlet, pvc, 1-1/2", gray	1	\$5.99 ea
48	H300	cuff, hose, 1-1/2 x 1-1/2, wire	1	\$5.99 ea
49	PH627-15	vac hose, 1-1/2", black, wire reinforced	1	\$4.99 ft
50	G059	exhaust boot, plastisol	1	\$4.99 ea
51	H042	c-clip, 12mm, external	2	\$0.99 ea
52	H392	wheel, 10"	2	\$35.49 ea
53	H254	washer, axle, cut 1/2" id	4	\$0.99 ea
54	H371	axle, 18.03" x .50" dia	1	\$9.99 ea
55	H668	caster, 4", black hub & gray tread	2	\$19.49 ea
56	H342	bolt, 1/4-20 x 1" hex head, s/s	8	\$0.99 ea
57	H210	washer, 1/4" flat, s/s	8	\$0.99 ea
58	H211	washer, 1/4" id x 1" od, flat, s/s	2	\$0.99 ea
59	H296	guard, cooling fan, wire	2	\$2.99 ea
60	H304	screw, 8 x 5/8", phil oval, s/s	8	\$0.99 ea
61	H486	latch, front	2	\$13.99 ea
62	H230	screw, 10-32 x 1/2" phil pan head, s/s	32	\$0.99 ea

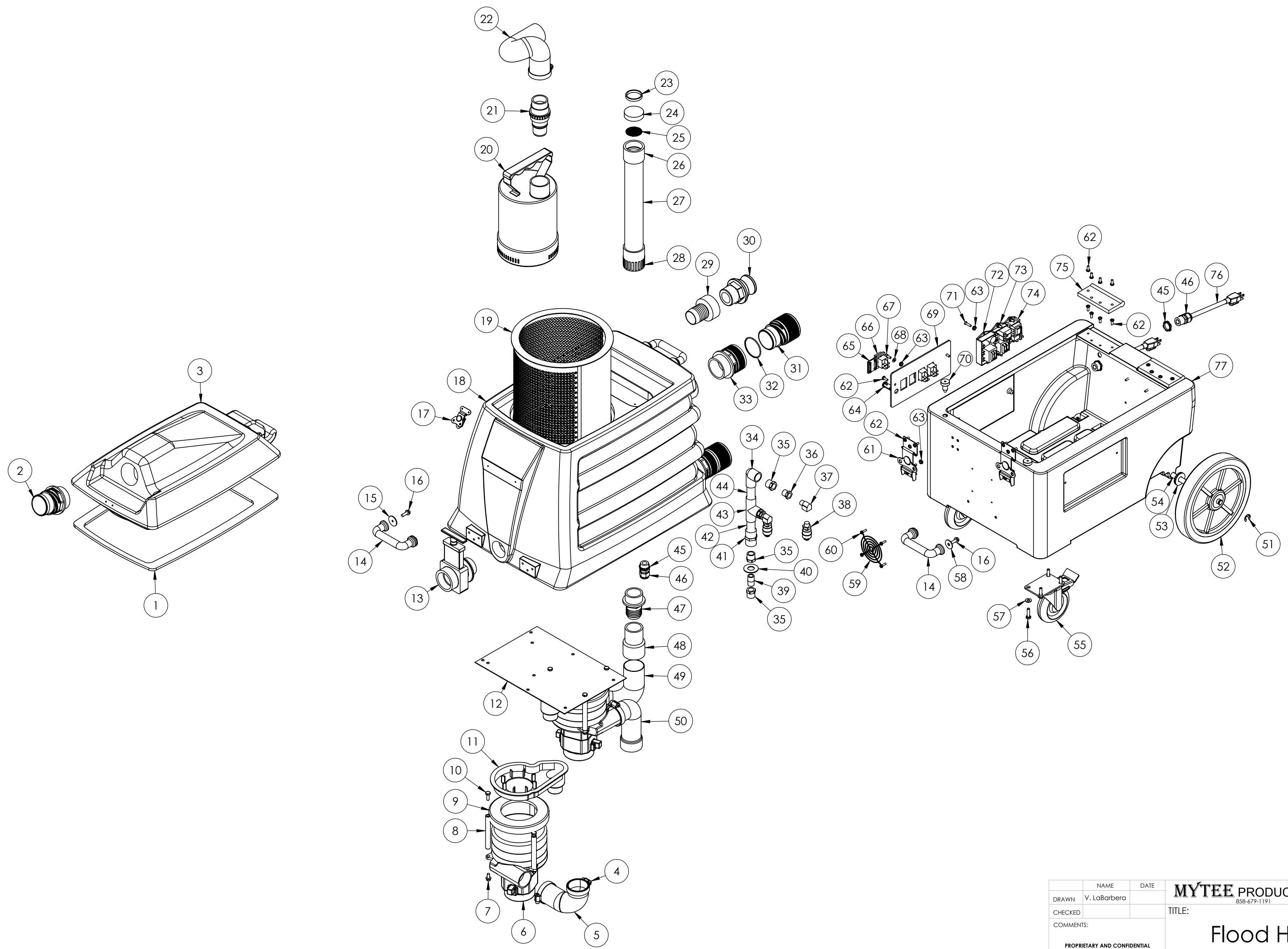
ITEM NO.	PART NO.	DESCRIPTION	QTY.	MSRP
63	H273	nut, kep, #10-32 zinc	15	\$0.99 ea
64	E512B	light, indicator, 125v (amber)	1	\$9.99 ea
65	P967A	plug, switch	1	\$1.99 ea
66	E515	switch, rocker, 2 position	3	\$13.99 ea
67	H389	screw, 10-32 x 1/2" SHCS, alloy	1	\$0.99 ea
68	H612	washer, 8 flat, s/s	1	\$0.99 ea
69	H641	plate, switch, RL1200, 7000DX	1	\$6.99 ea
70	G068	bumper, 7/8" x 1/4" head	2	\$1.99 ea
71	H186	screw, 10-32 x 3/4, phil flat full thread	6	\$0.99 ea
72	E564	controller, circuit light	1	\$62.99 ea
73	E370	controller, water level, single, 115v	1	\$114.99 ea
74	E628	controller, water level, single, 115V	1	\$114.99 ea
75	H487	bracket, hinge	2	\$4.49 ea
76	E550	power cord, pigtail, 30', 12/3, black	2	\$11.49 ea
77	P696	base, breeze	1	\$135.99 ea

ITEMS NOT SHOWN

PART NO.	DESCRIPTION	QTY.	MSRP
H141	Cuff-Lynx, 2" x 1.5" reducer	1	\$3.99 ea
H908	flood wand, two piece, extraction	1	\$62.99 ea
P570	head, scalloped, grey, wet\dry vacuuming	1	\$20.99 ea
G109	gasket, strip, vac lid, 7000S	1	\$10.99 ea
G200	squeegee, head w\blades, black	1	\$29.99 ea
AH121	hose, layflat, 50', pump-out	1	\$49.99 ea
H205	female cam and groove, 1-1/2"	1	\$32.99 ea
E530	power cord, ext 50', 12/3	2	\$74.99 ea
P568A	cord lock, s-type	2	\$8.99 ea
H226	spout, drain, 45 degree	1	\$3.99 ea



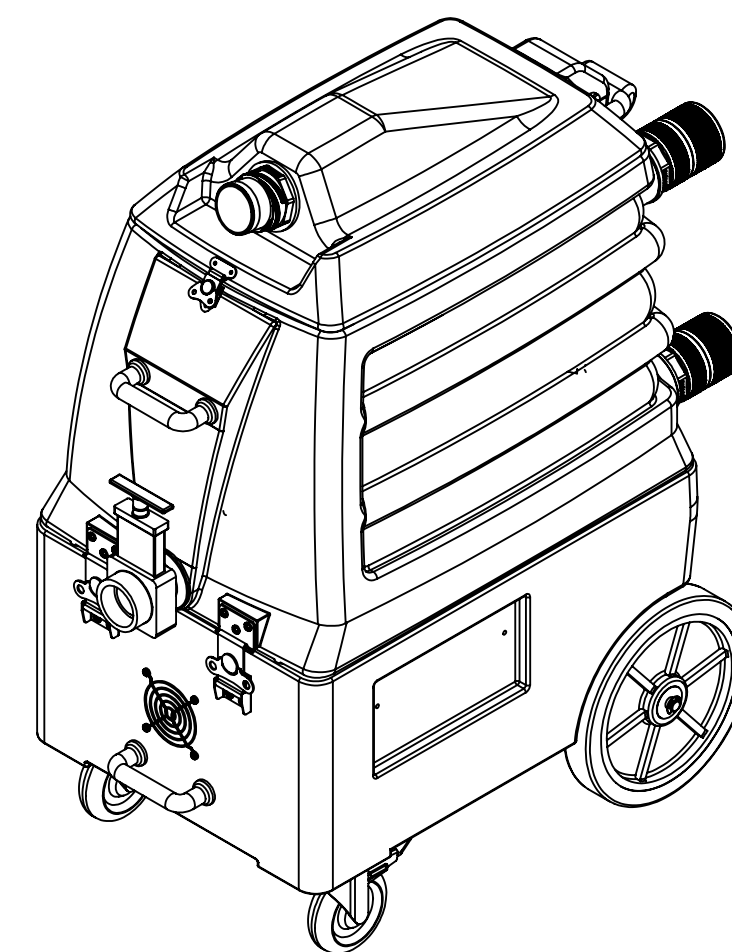
NAME		DATE		MYTEE PRODUCTS, INC. 858-679-1191	
DRAWN V. LaBarberga					
CHECKED				TITLE:	
COMMENTS:				Flood Hog	
<small>PROPRIETARY AND CONFIDENTIAL</small> <small>THE INFORMATION CONTAINED IN THIS DRAWING IS THE SOLE PROPERTY OF MYTEE PRODUCTS, INC. ANY REPRODUCTION IN PART OR AS A WHOLE WITHOUT THE WRITTEN PERMISSION OF MYTEE PRODUCTS, INC. IS PROHIBITED.</small>					
SIZE	DWG. NO.	REV			
C	7000S	B			
SCALE: 1:32	DO NOT SCALE DRAWING	SHEET 1 OF 3			



NAME		DATE		MYTEE PRODUCTS, INC. 858-679-1191	
DRAWN V. LaBarberga					
CHECKED				TITLE:	
COMMENTS:				Flood Hog	
<small>PROPRIETARY AND CONFIDENTIAL</small> <small>THE INFORMATION CONTAINED IN THIS DRAWING IS THE SOLE PROPERTY OF MYTEE PRODUCTS, INC. ANY REPRODUCTION IN PART OR AS A WHOLE WITHOUT THE WRITTEN PERMISSION OF MYTEE PRODUCTS, INC. IS PROHIBITED.</small>		SIZE DWG. NO. C 7000S			
		SCALE: 1:32		<small>DO NOT SCALE DRAWING</small> SHEET 2 OF 3	

REVISIONS

REV.	DESCRIPTION	DATE	APPROVED
OD	ORIGINAL DRAFT		JFL
A	REPLACED H343 w H304	4/27/2015	ML
B	REPLACED C384 w C388	6/29/2016	ML



	NAME	DATE	MYTEE PRODUCTS, INC. <small>858-679-1191</small>	
DRAWN	V. LaBarbera		TITLE:	
CHECKED			Flood Hog	
COMMENTS:			SIZE	DWG. NO.
<p>PROPRIETARY AND CONFIDENTIAL</p> <p>THE INFORMATION CONTAINED IN THIS DRAWING IS THE SOLE PROPERTY OF MYTEE PRODUCTS, INC. ANY REPRODUCTION IN PART OR AS A WHOLE WITHOUT THE WRITTEN PERMISSION OF MYTEE PRODUCTS, INC. IS PROHIBITED.</p>			C	7000S
			SCALE: 1:32	DO NOT SCALE DRAWING
			SHEET 3 OF 3	